



PROFILE DRAWING

7960

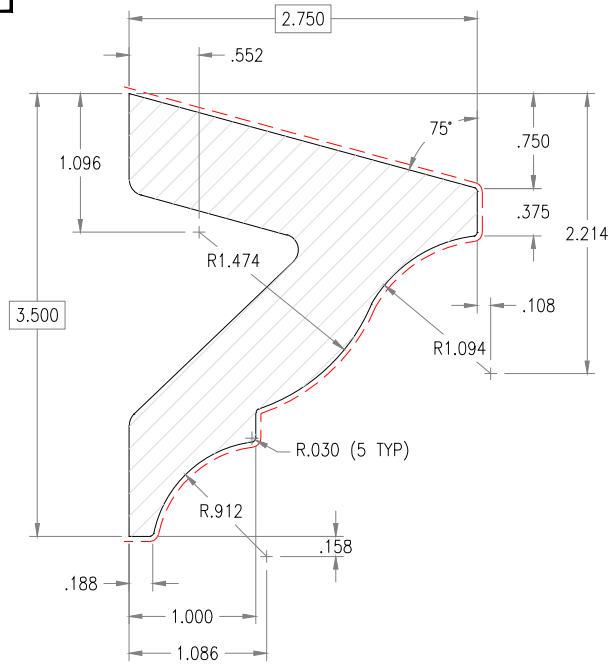
CONTROL: 101411-1
REVISION: 10.14.11

UNCONTROLLED IF PRINTED

APPROVAL:

SIGNATURE: *Brian Stafford*
DATE: *12/15/11*

Finished Surface



SEQ:	DATE:	DESCRIPTION:	BY:

Crown Moulding Envelop

CUSTOMER:	SUBSTRATE:	TOT. AREA:	DRAWN: BS
CUST. DWG:	FINISH PERM:	CELL AREA:	DATE: 10.14.11
LIAISON:	BENDABLE?	CAP AREA:	SCALE: 1:1
PROCESS:	EMBOSSSED?	FLEX AREA:	PROJECT: A
		RIG. AREA:	

UNSPEC. DIMENSIONS ARE REF.
BOXED DIMS ARE ± 0.016
BOXED ANGLE DIMS ARE ± 1.0°

UNSPEC. INSIDE RADI: 0.010
UNSPEC. OUTSIDE RADI: 0.010
UNSPEC. FLATNESS - FLAT/CONCAVE